

PROFILE SHEET

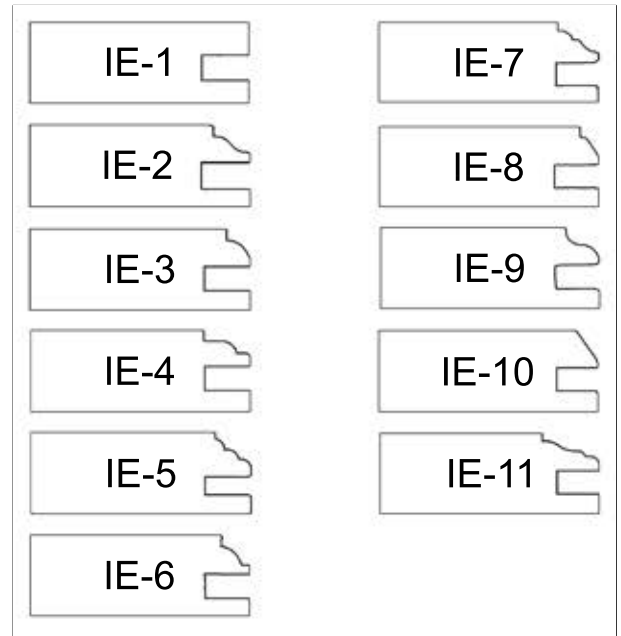
Miter Door and Drawer Profiles



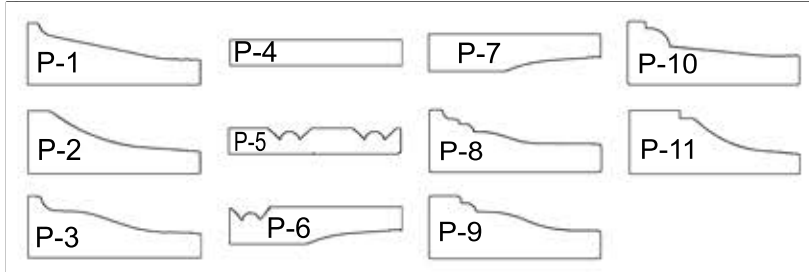
Outside Edge Details



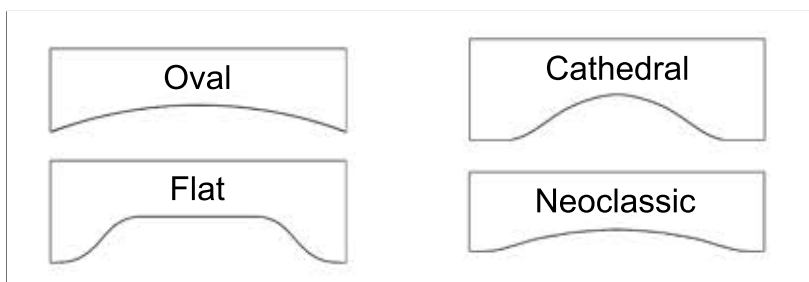
Inside Edges



Panel Profiles



Arch Patterns



Applied Moldings

